

FULL AUTOMATIC TRIPOD TURNSTILES

A reliable safeguard
for effective passenger access

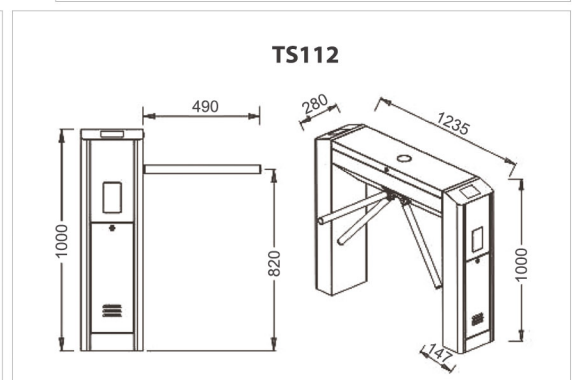
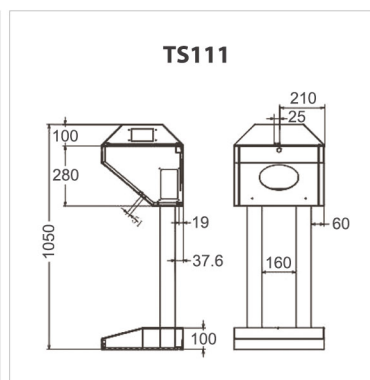
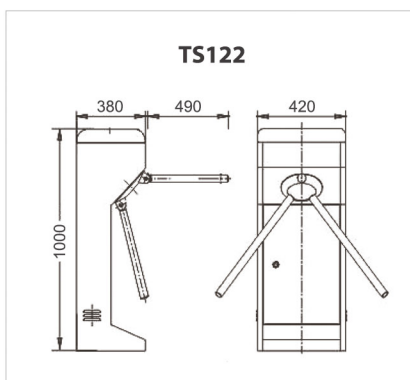
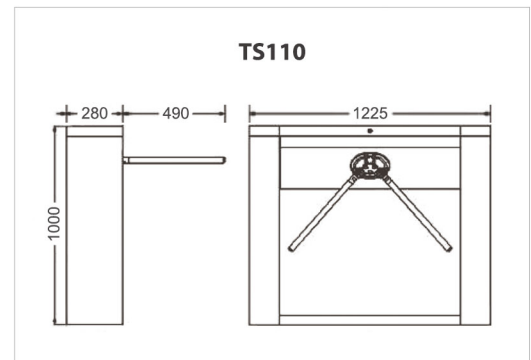


FULL AUTOMATIC TRIPOD TURNSTILES



FUNCTION & FEATURES

- ▶ Stainless steel Housing
- ▶ Bi-direction pass
- ▶ Arms auto drop when power off
- ▶ Arms auto rise up when power on and auto stop on obstacle
- ▶ Traffic light indicator
- ▶ Wingen 26/Dry contact, is compatible with smart card for access control
- ▶ Photoelectric inspection
- ▶ If the passenger does not pass in valid time, the passage will be locked up. And the valid passing time can be set up by operator.
- ▶ Passenger counters (optional)



TECHNICAL DATA

Model	TS122	TS110	TS112	TS111
Manual, Semi or Full-automatic	Full-automatic			
Material of Housing	304 Stainless Steel	304 Stainless Steel	304 Stainless Steel	Iron with Powder
Thickness of Housing	1.50mm			
Dimension of Housing (LxWxH mm)	420 x 380 x 1000	1225 x 280 x 1000	1235 x 280 x 1000	420 x 380 x 1050
Length of Pole (Out of Housing)	490mm			
Net Weight	34kg	45kg	53kg	30kg
Max Load-bearing of Pole	80kg			
Driving Force of Pole	3kg			
Rotating Direction	Double Direction			
Power Supply	220V±10%, 110V±10%			
Frequency	50/60HZ			
Working Voltage of Motor	DC12V			
Rated Power	50W			
Driving Motor	Brush DC Motor			
Input Interface	DC12V electrical level signal, more than 10 ms, or DC12V impulse signal driving current, more 10mA			
Transit Speed	25~32 persons/min			
Working Temperature	-25°C~55°C			
Working Environment	Indoor / Outdoor (Shelter)			
Relative Humidity	≤95%			

* All Specifications / colors are subject to change without notice. (V.01)